

FAG

**53308**

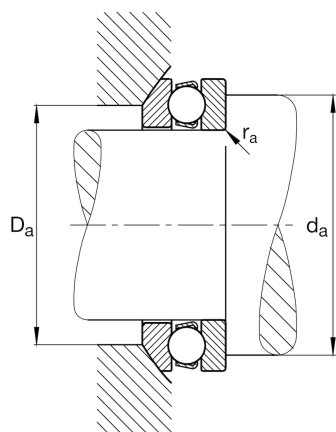
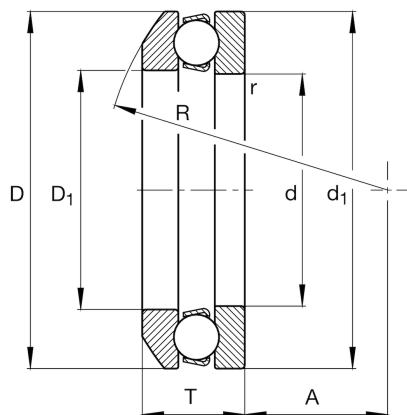
## Axial deep groove ball bearing

Schaeffler ID:  
0190071320000

Axial deep groove ball bearing 533, single direction, with spherical housing washer, steel sheet metal cage

## Technical information

## Main Dimensions &amp; Performance Data



d	40 mm	Bore diameter
D	78 mm	Outside diameter
T	28.5 mm	Height
$C_a$	61,000 N	Basic dynamic load rating, axial
$C_{0a}$	112,000 N	Basic static load rating, axial
$C_{ua}$	5,100 N	Fatigue load limit, axial
$n_G$	4,250 1/min	Limiting speed
$n_{gr}$	7,600 1/min	Reference speed
	0.565 kg	Weight

## Dimensions

$r_{min}$	1 mm	Minimum chamfer dimension
$D_1$	42 mm	Bore diameter housing washer
$d_1$	78 mm	Lip diameter shaft washer
R	64 mm	Radius spherical housing washer
A	28 mm	Distance of the center point
$T_1$	31 mm	Height with seat washer

## Mounting dimensions

$d_{a min}$	63 mm	Minimum diameter shaft shoulder
$D_{a max}$	60 mm	Maximum diameter of housing shoulder
$r_{a max}$	1 mm	Maximum recess radius

## Additional information

A	0.081	Minimum load factor
	U308	Seat washer

## Temperature range

$T_{min}$	-30 °C	Operating temperature min.
$T_{max}$	150 °C	Operating temperature max.